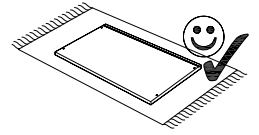
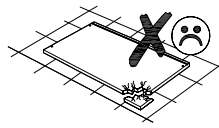
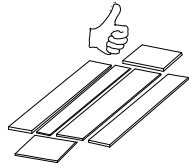
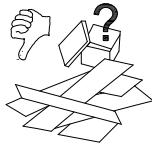
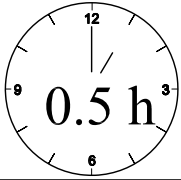
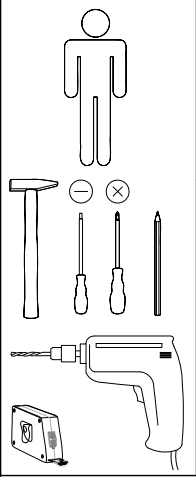
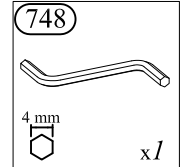
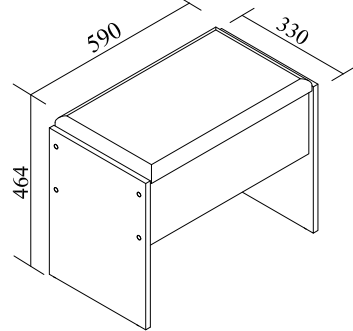
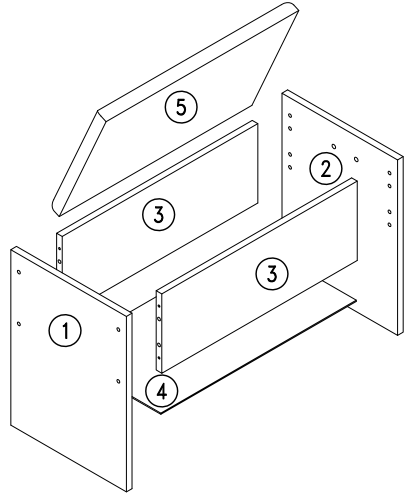


Гранд СБ-3529 / Grand SB-3529



№	L	B	S	Q	P
1	434	330	16	1	1
2	434	330	16	1	1
3	558	196	16	2	1
4	558	294	3	1	1
5	550	330	36	1	1



301 1.6x25 x14	619 Ø4x20 x6	793 x1	139 Ø6.3x13 x4	410 Ø8x30 x8	470 x4	406 Ø7x50 x8	747 Ø12 x8
------------------------------	----------------------------	----------------------	------------------------------	----------------------------	----------------------	----------------------------	--------------------------

