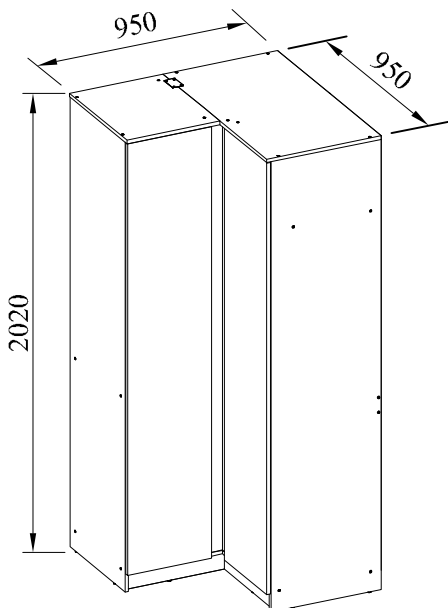
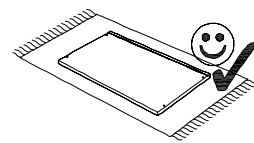
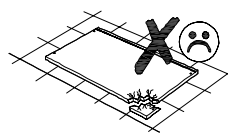
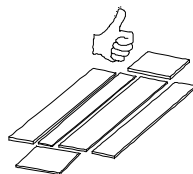
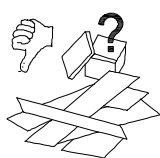
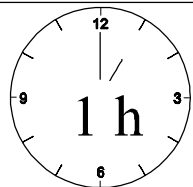
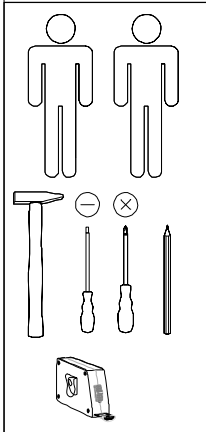
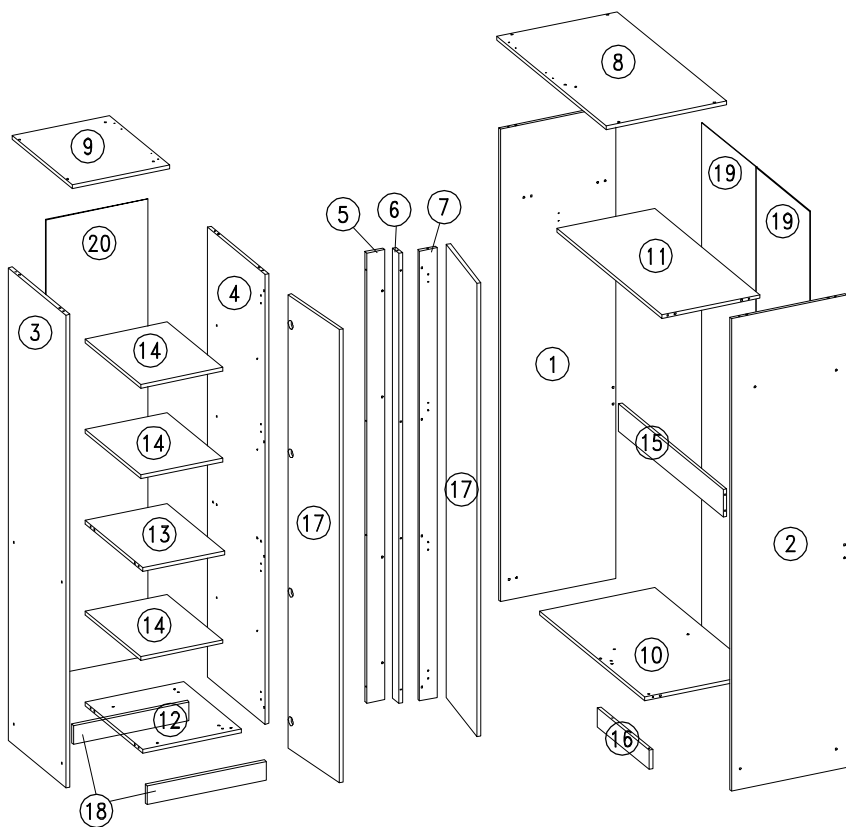


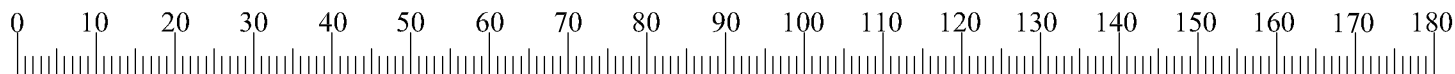
"ЛЕОН" СБ-3365 \ "LEON" SB-3365



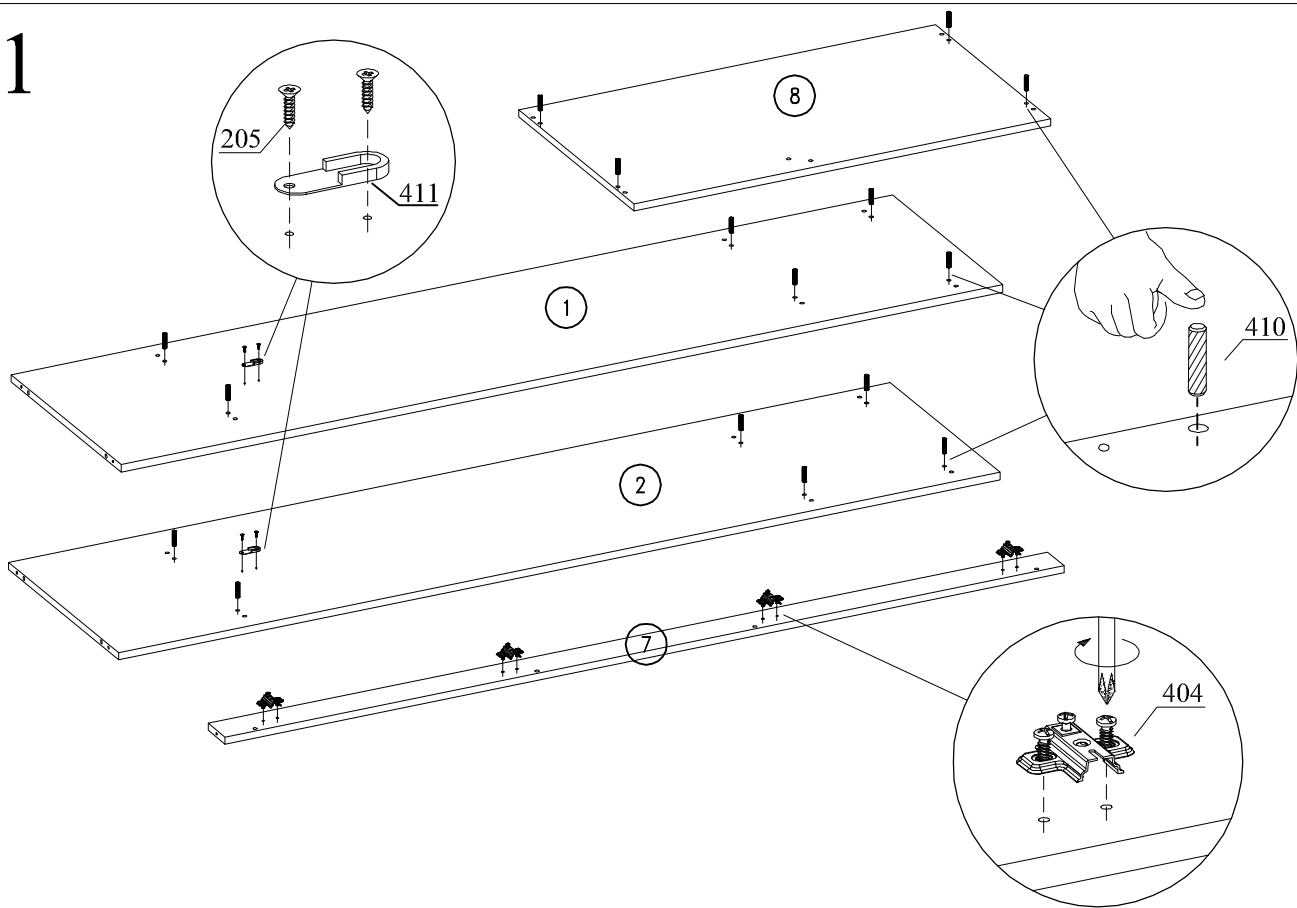
№	L	B	S	Q	
1	2000	500	16	1	3
2	2000	500	16	1	3
3	2000	500	16	1	2
4	1904	500	16	1	2
5	1904	76	16	1	2
6	1904	58	16	1	3
7	1904	76	16	1	1
8	945	522	16	1	1
9	423	522	16	1	1
10	911	500	16	1	1
11	911	423	16	1	1
12	428	500	16	1	1
13	356	500	16	1	1
14	356	480	16	3	1
15	911	115	16	1	1
16	457	80	16	1	1
17	1918	386	16	2	2-3
18	480	80	16	2	1
19	1932	468	3	2	2
20	1932	442	3	1	3

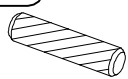
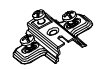
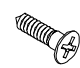
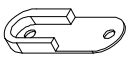


 1.6x25 x99	 Ø4x13 x20	 Ø4x16 x8
 Ø8x30 x26	 Ø7x50 x50	 Ø12 x42
 4mm x1	 x8	 x12
 L=300 x1	 L=1585 x1	 x2
 L=905 x1	 x9	 80x50 x1
 x2		

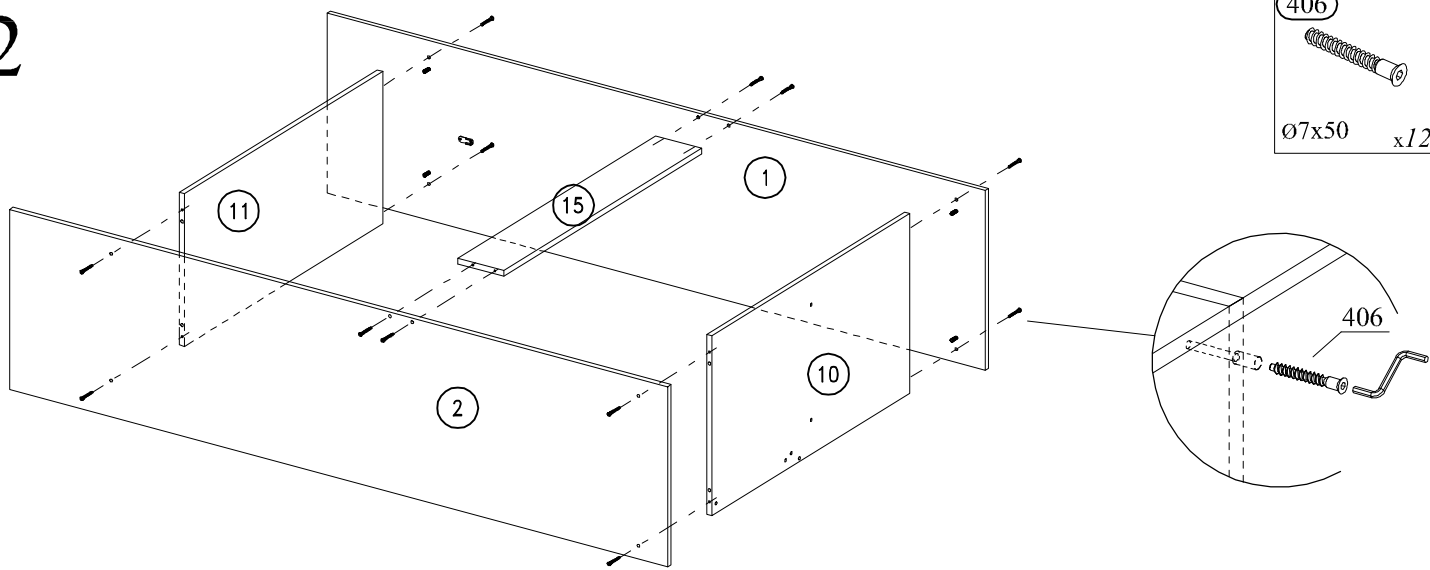


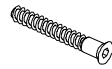
1



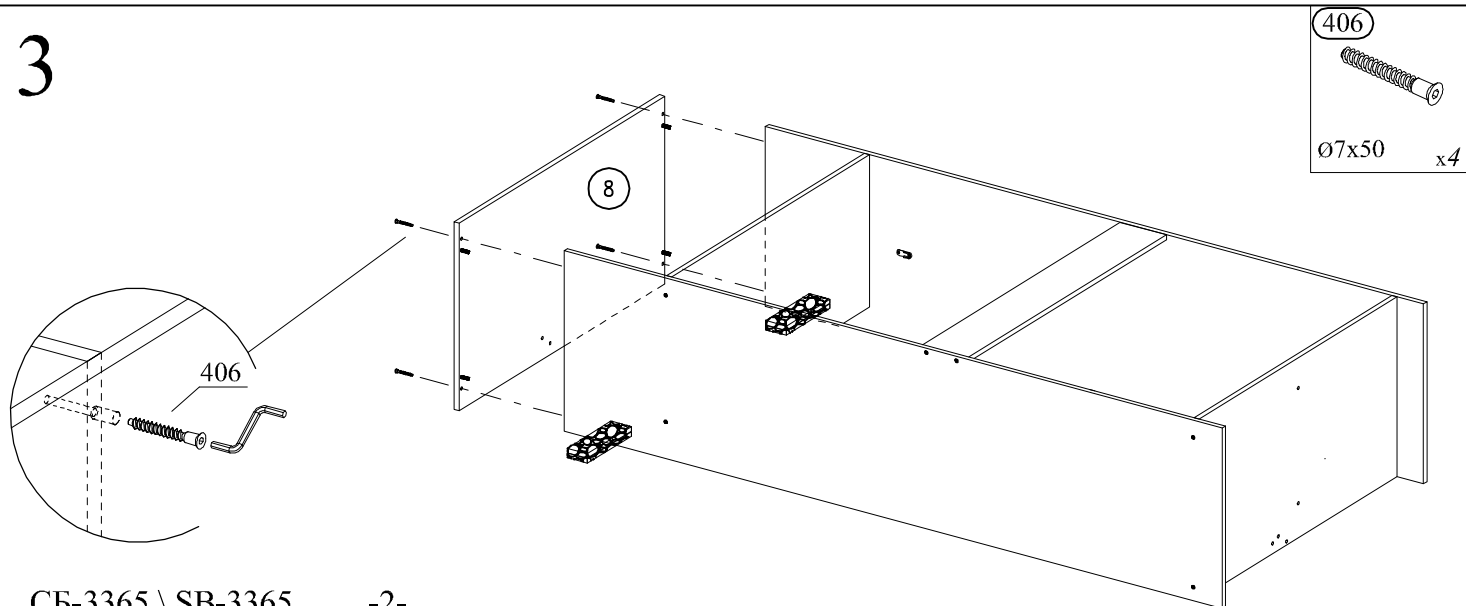
- (410)  $\varnothing 8 \times 30$ x16
- (404)  x4
- (205)  $\varnothing 4 \times 16$ x4
- (411)  x2


2



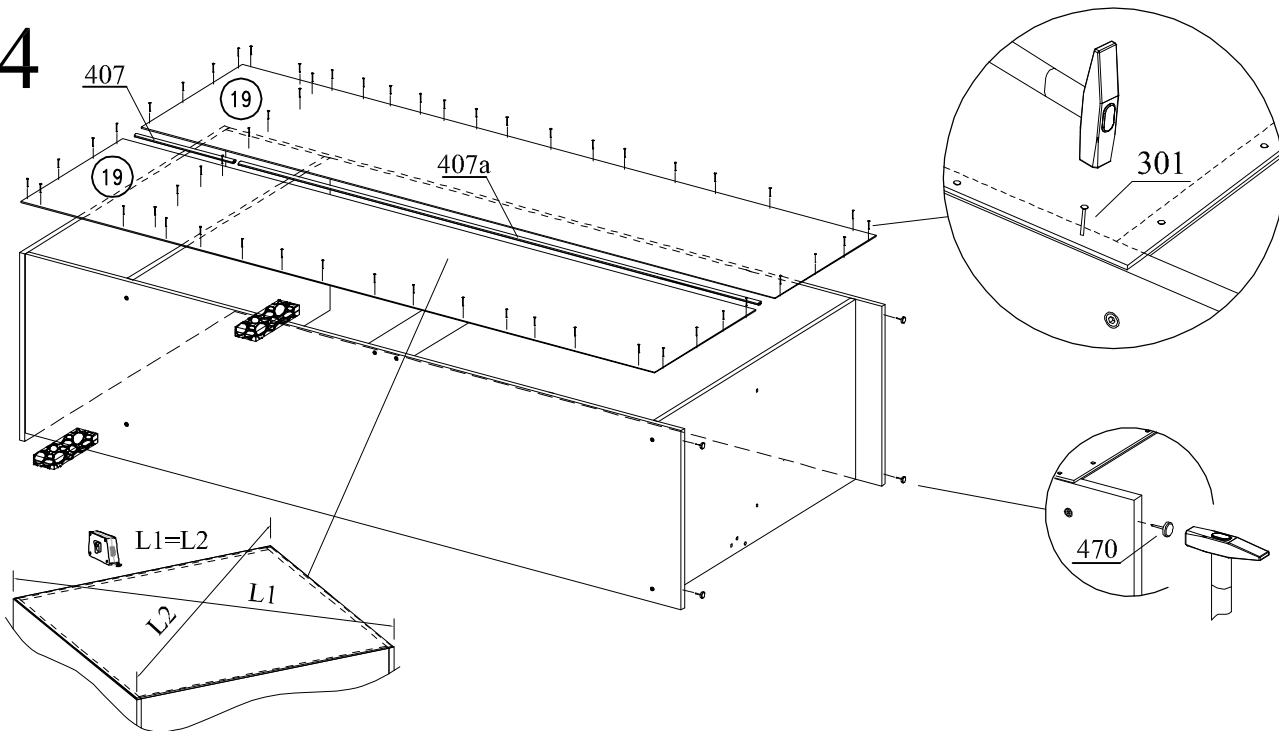
- (406)  $\varnothing 7 \times 50$ x12

3



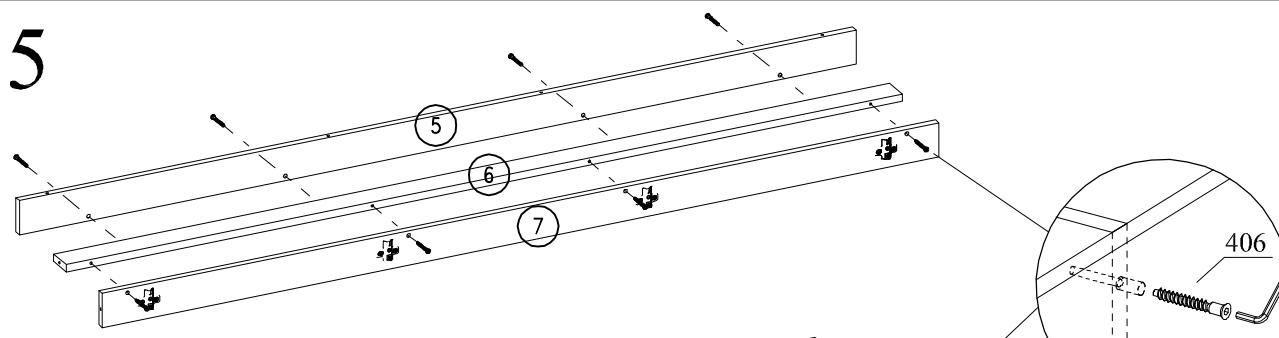
- (406)  $\varnothing 7 \times 50$ x4

4



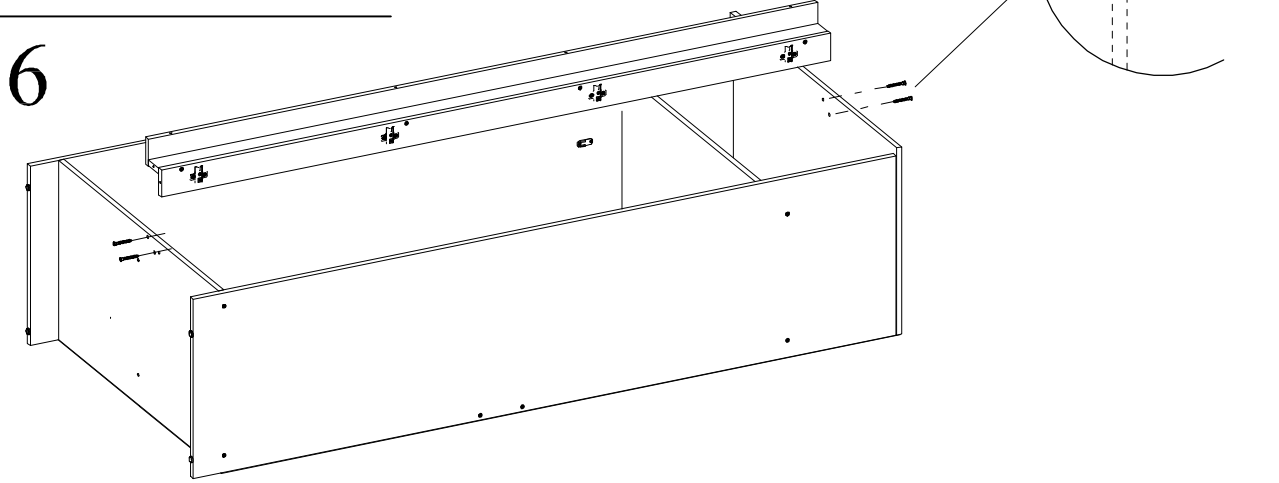
- (301)
1.6x25 x56
- (470)
x4
- (407)
L=300 x1
- (407a)
L=1585 x1

5

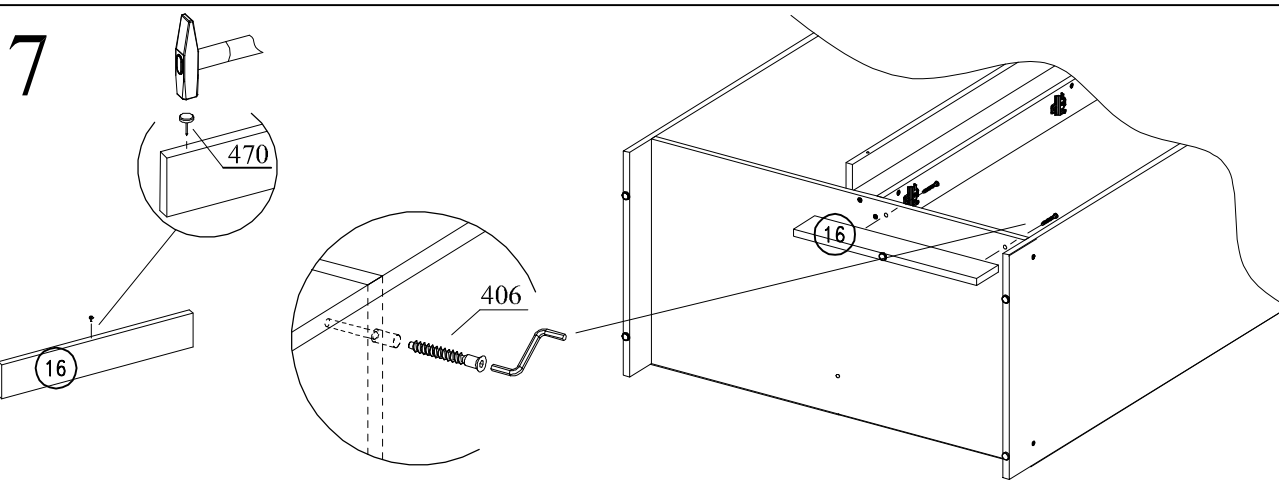


- (406)
Ø7x50 x12

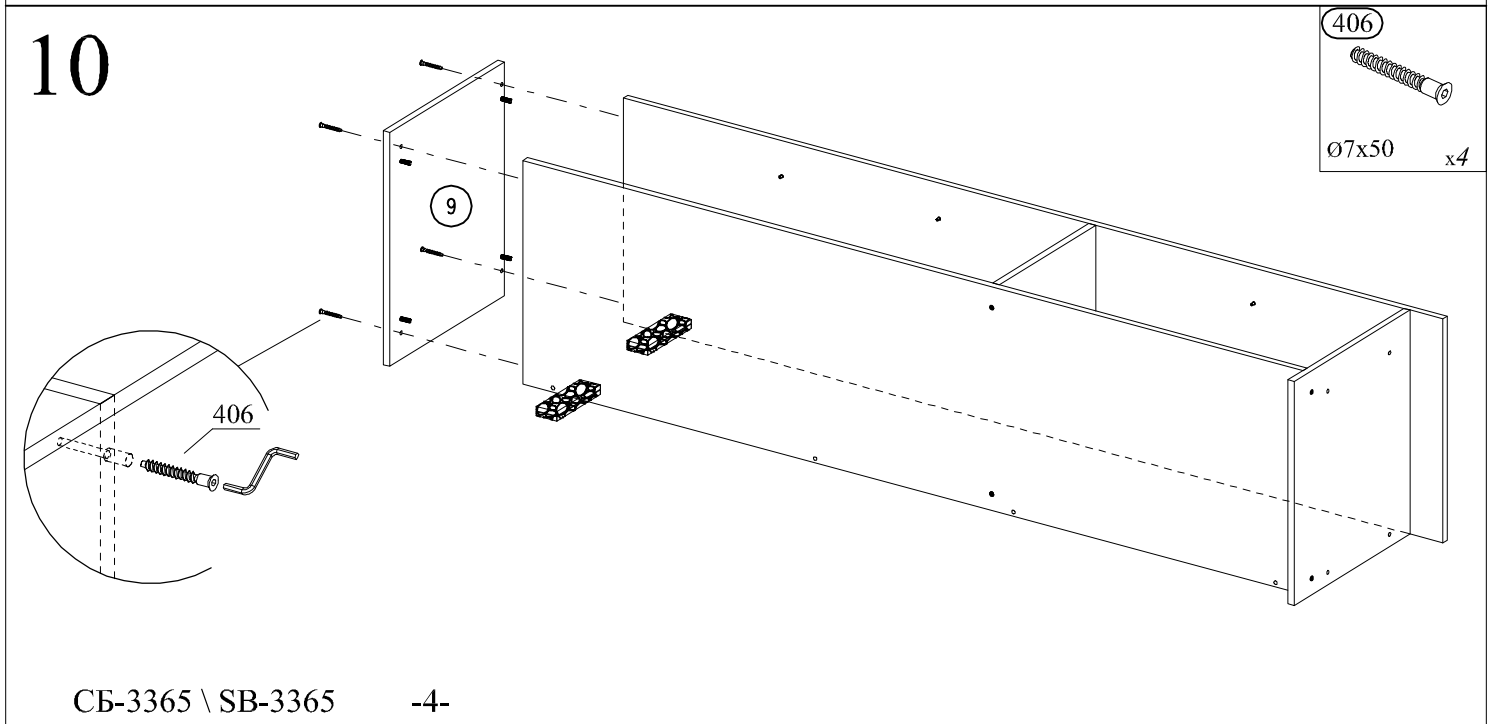
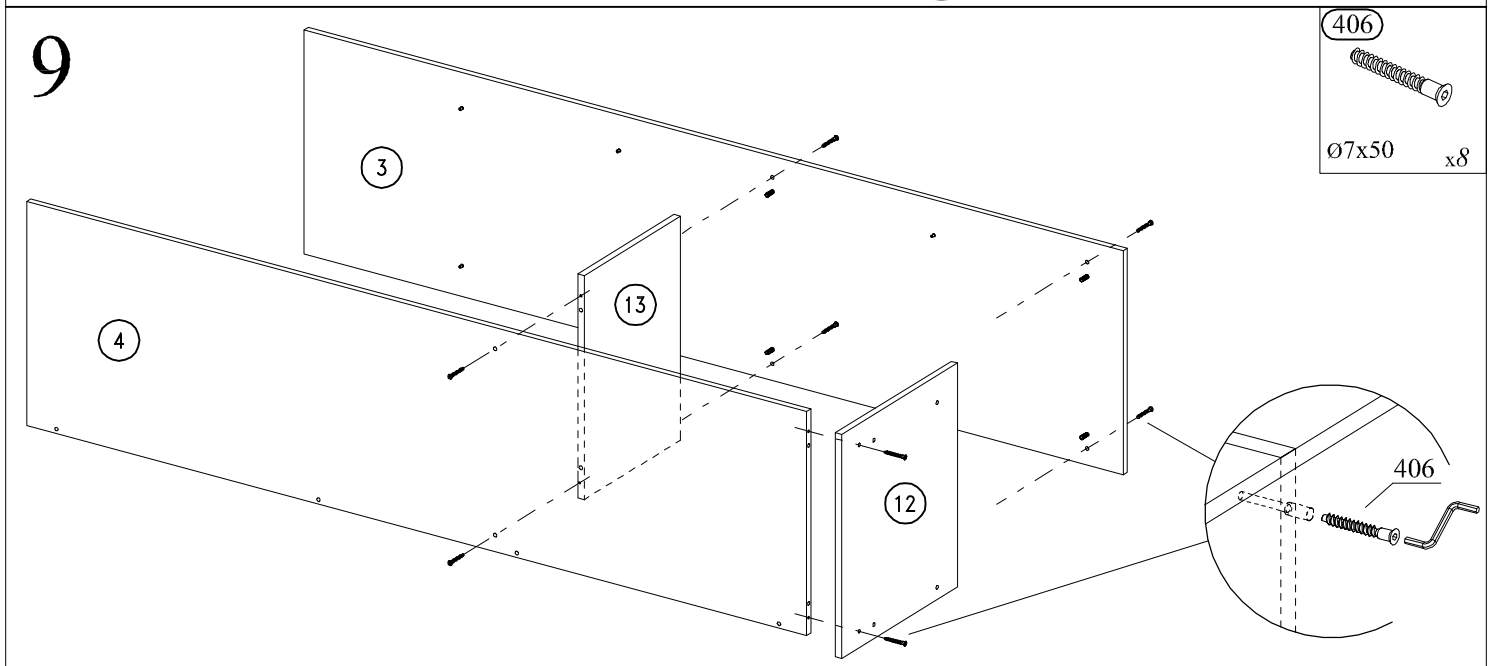
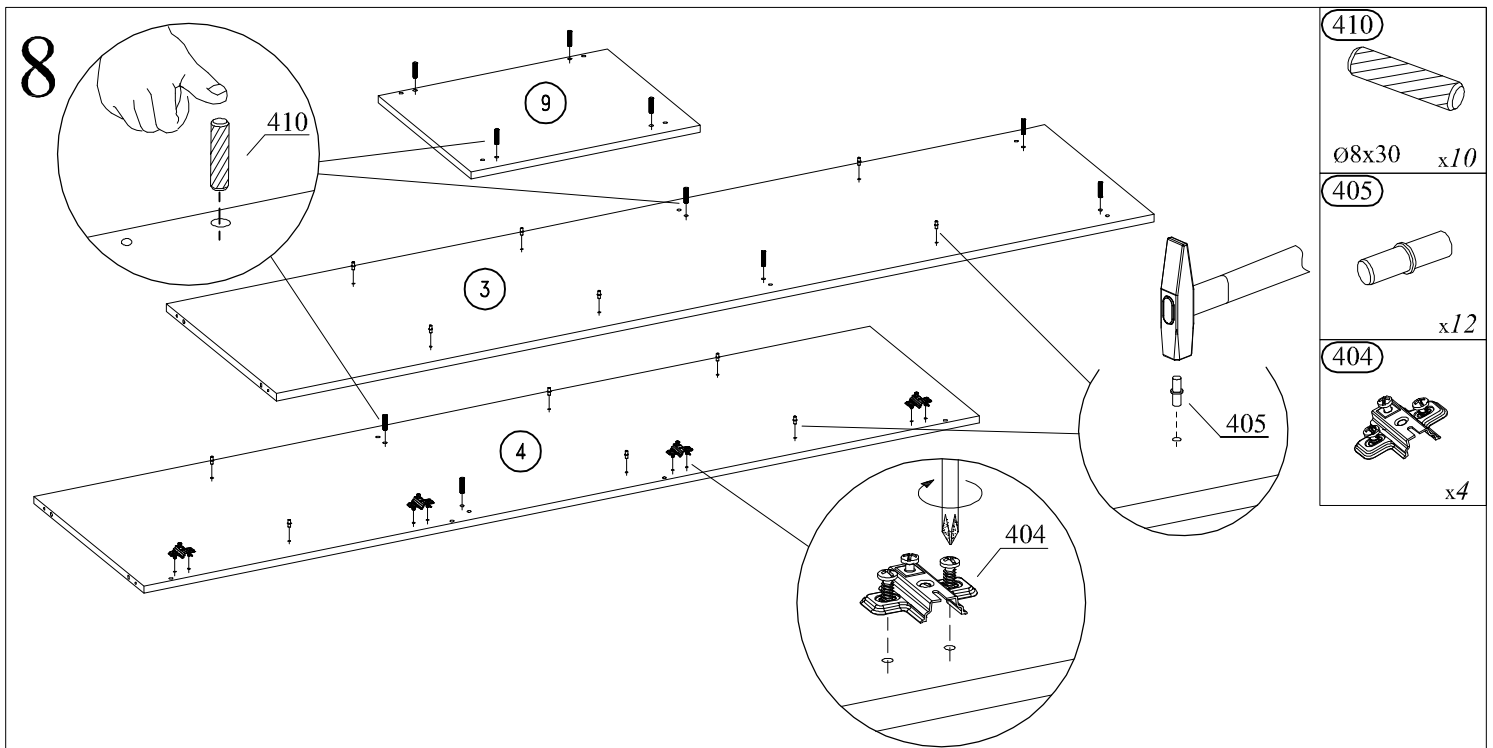
6



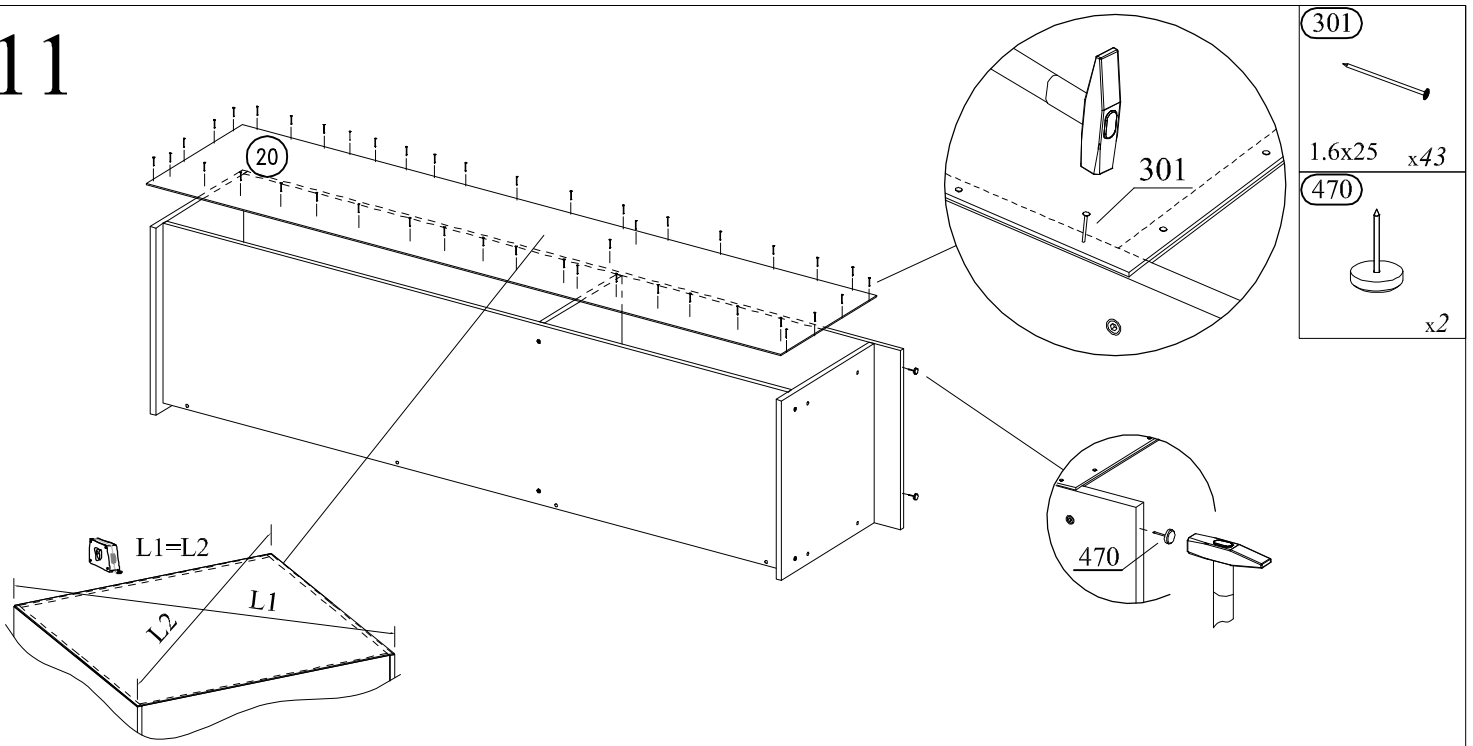
7



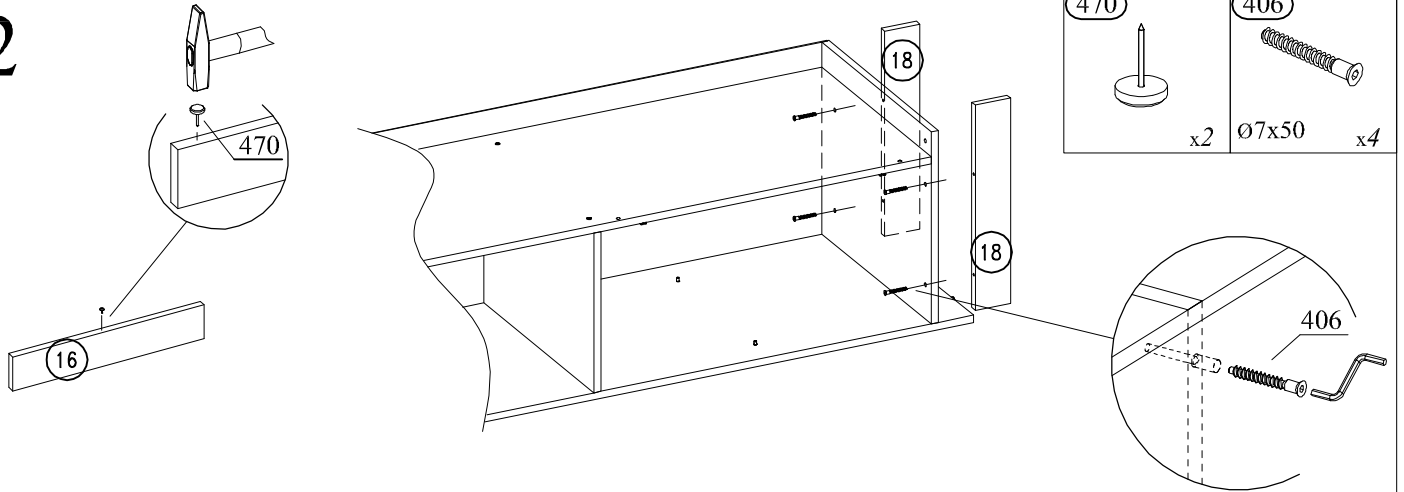
- (406)
Ø7x50 x2
- (470)
x1



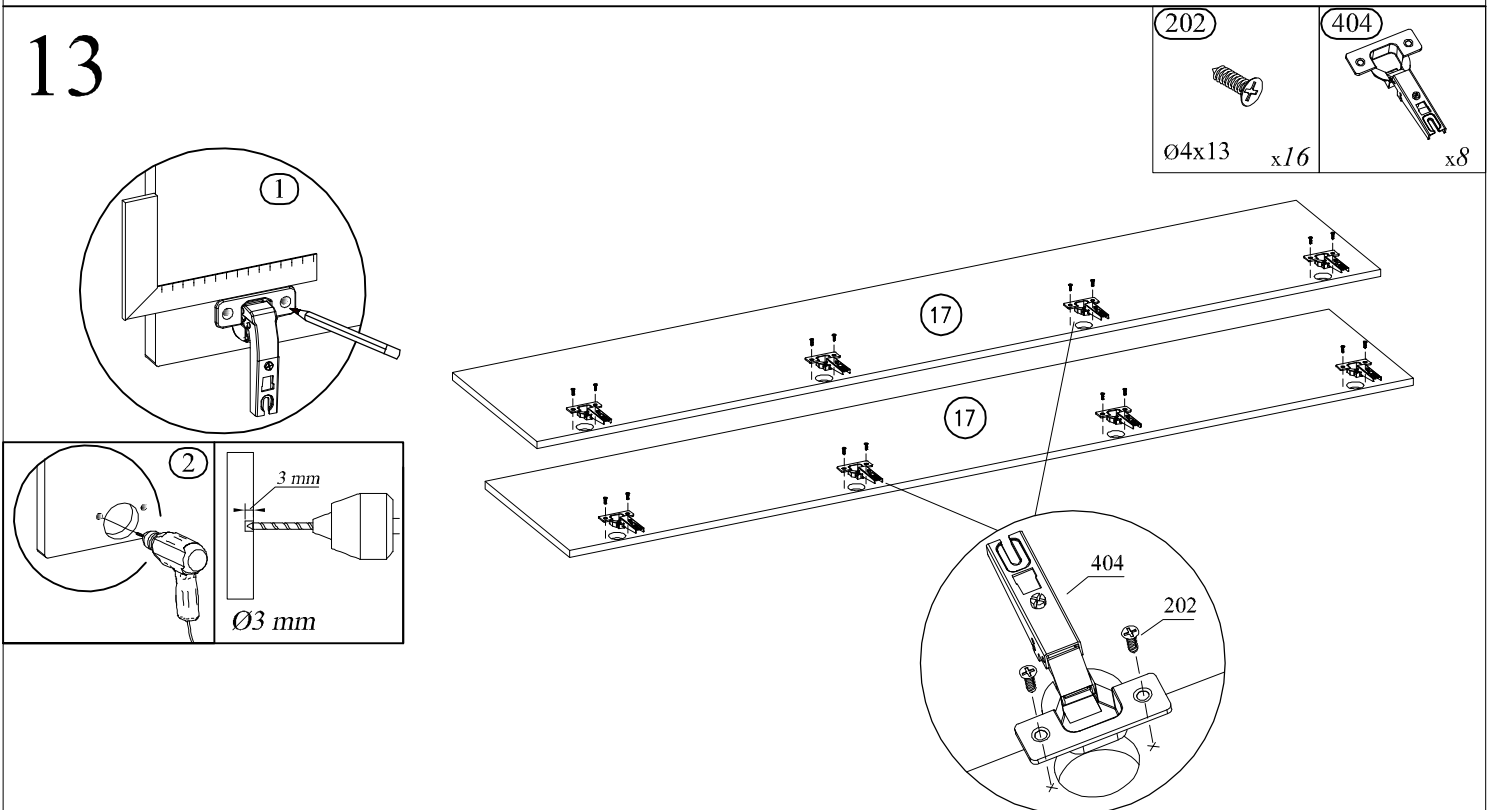
11



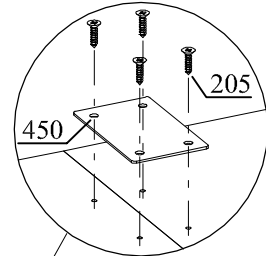
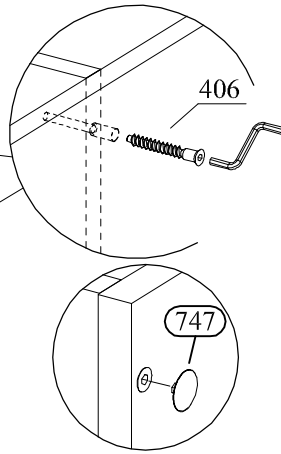
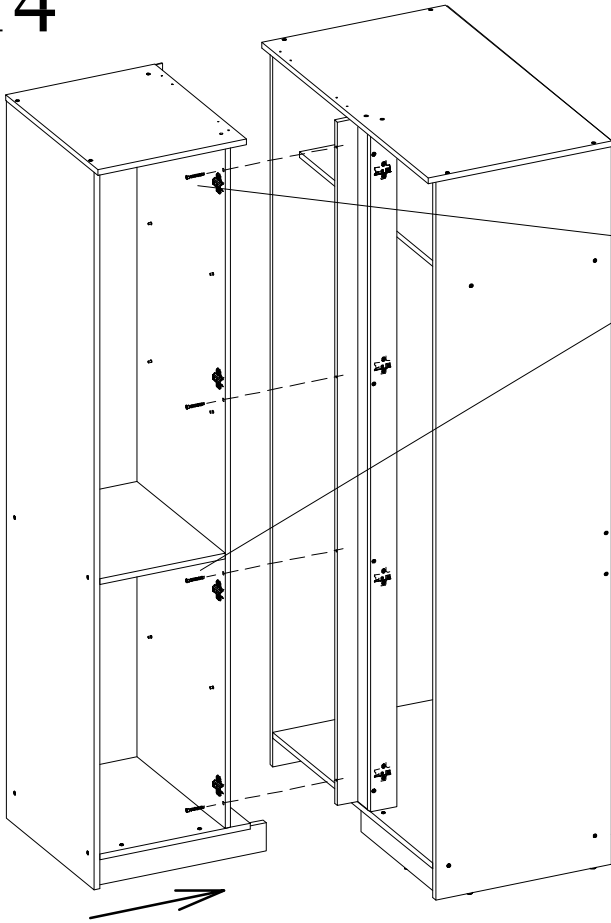
12



13

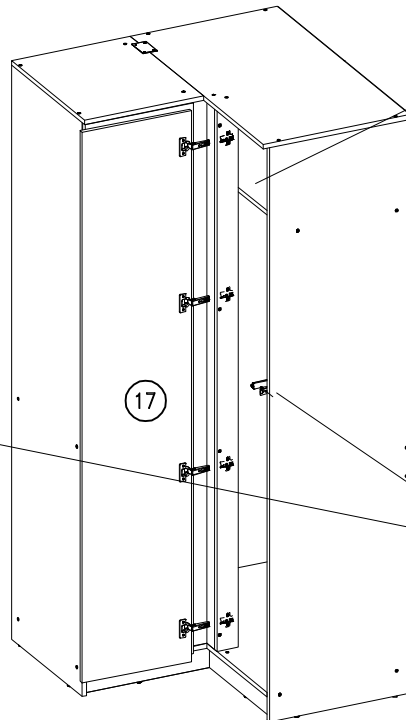
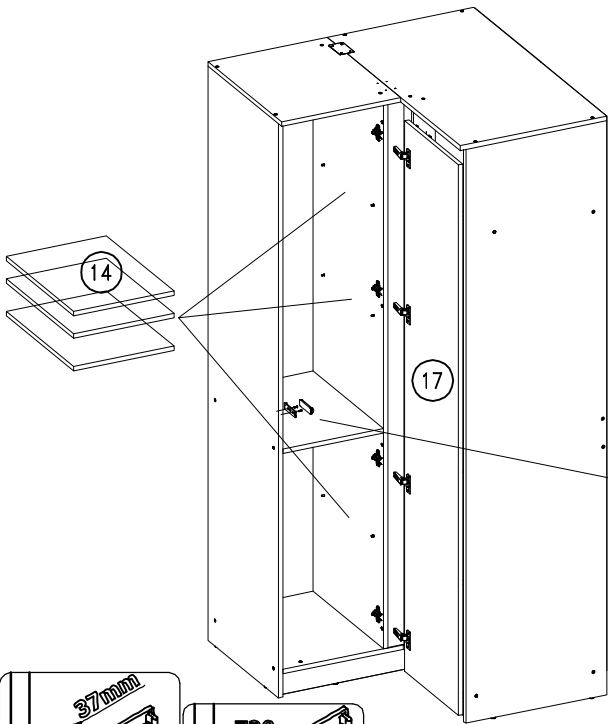


14

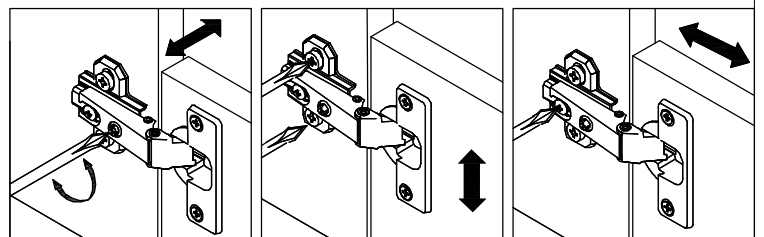
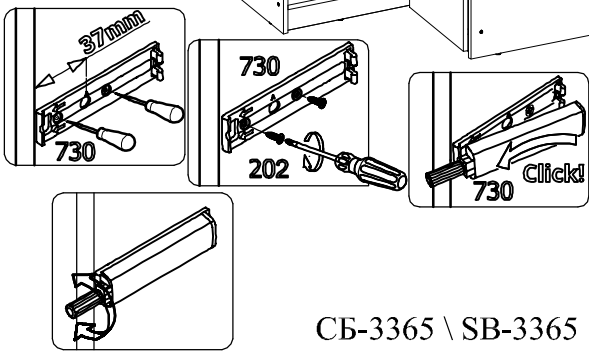
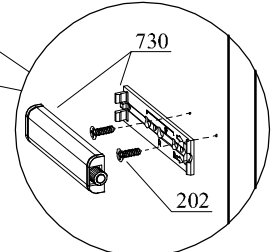
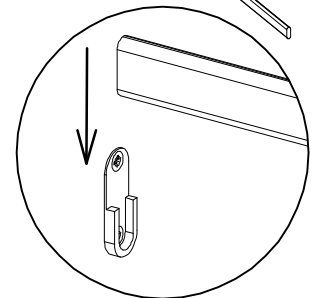


747	406
Ø12 x42	Ø7x50 x4
	205
	Ø4x16 x4
	450
	80x50 x1

15



730	202	412
x2	Ø4x13 x4	L=905 x1



CB-3365 \ SB-3365