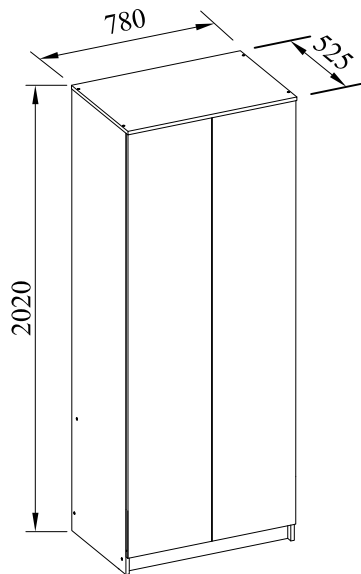
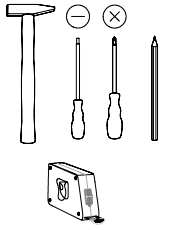
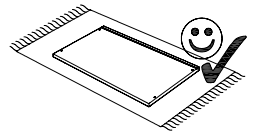
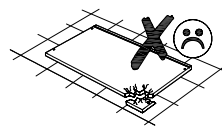
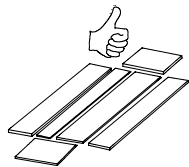
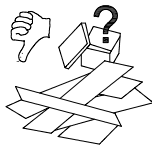
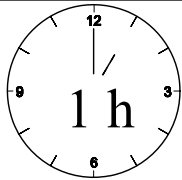
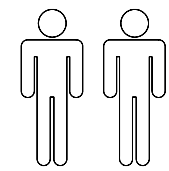
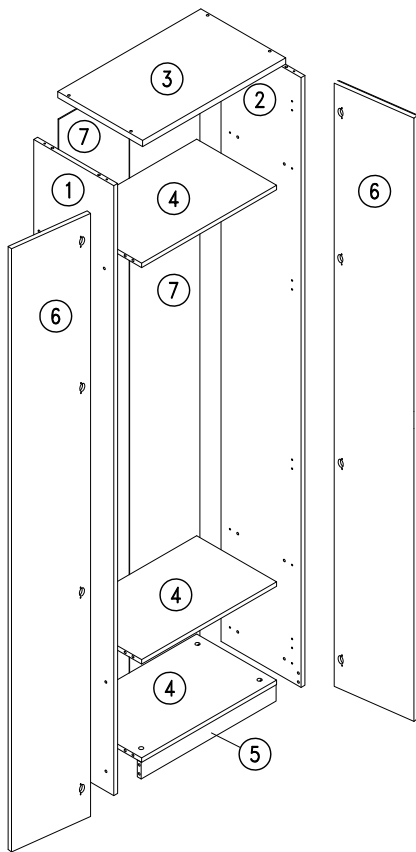


"LEON" CB-3361 \ "LEON" SB-3361



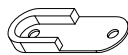

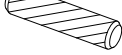

№	L	B	S	Q	P
1	2000	500	16	1	2
2	2000	500	16	1	2
3	780	522	16	1	1
4	746	500	16	3	1
5	746	80	16	1	1
6	1918	386	16	2	3
7	1932	385	3	2	2

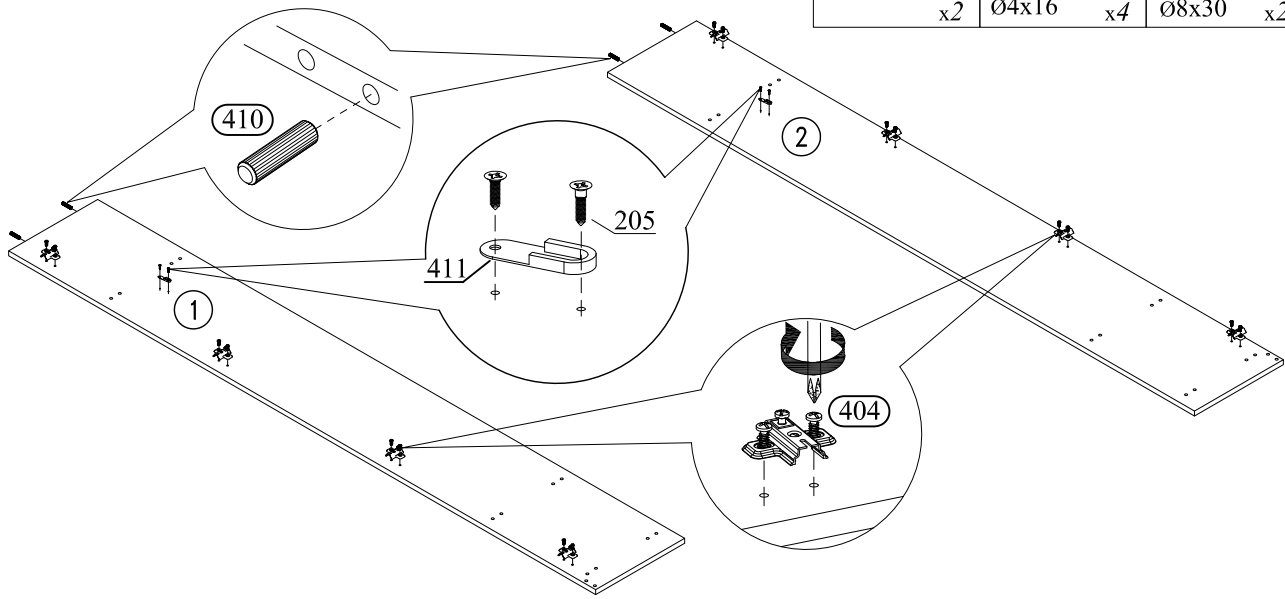


301 1.6x25 x60	202 04x13 x18	205 04x16 x4	410 08x30 x20	406 07x50 x16	747 012 x16	748 4mm x1
404 x8	411 x2	412 L=740 x1	407B L=300 2	407A L=1269 1	470 x4	730 x1
						443 07x1.5 x3

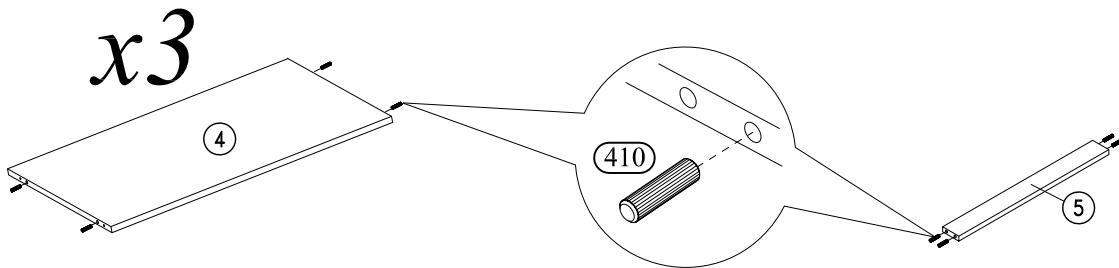
0 10 20 30 40 50 60 70 80 90 100 110 120 130 140 150 160 170 180

1

<p>411</p>  <p>x2</p>	<p>205</p>  <p>Ø4x16 x4</p>	<p>410</p>  <p>Ø8x30 x20</p>	<p>404</p>  <p>x8</p>
---	--	---	--

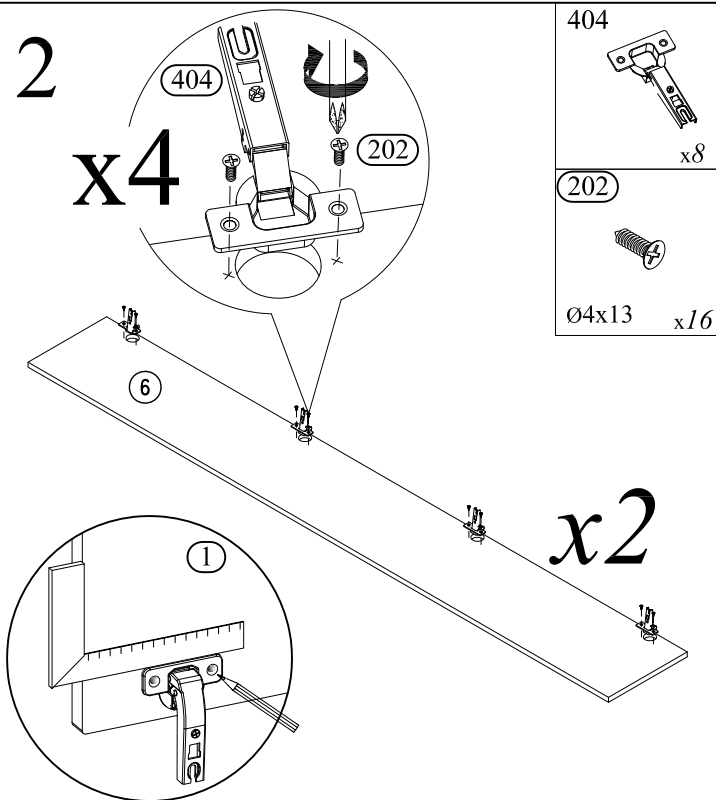


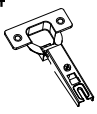

x3



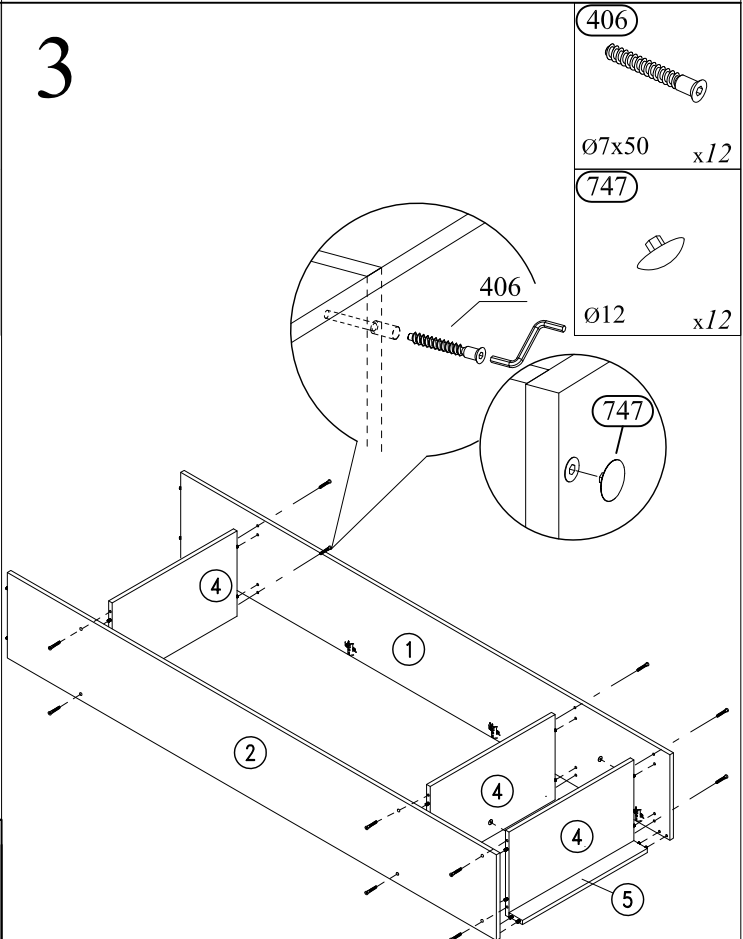
2

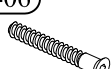

x4

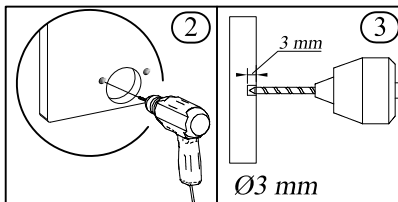


<p>404</p>  <p>x8</p>
<p>202</p>  <p>Ø4x13 x16</p>

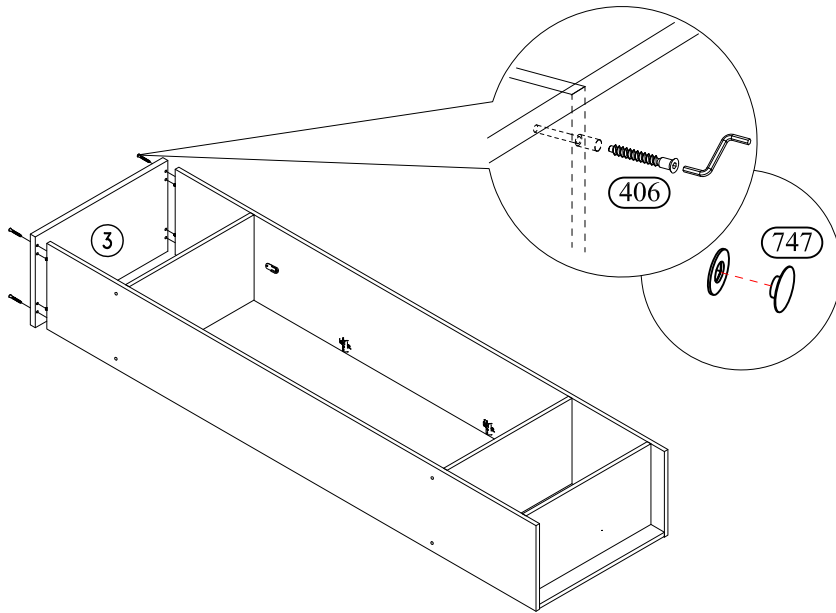
3



<p>406</p>  <p>Ø7x50 x12</p>
<p>747</p>  <p>Ø12 x12</p>

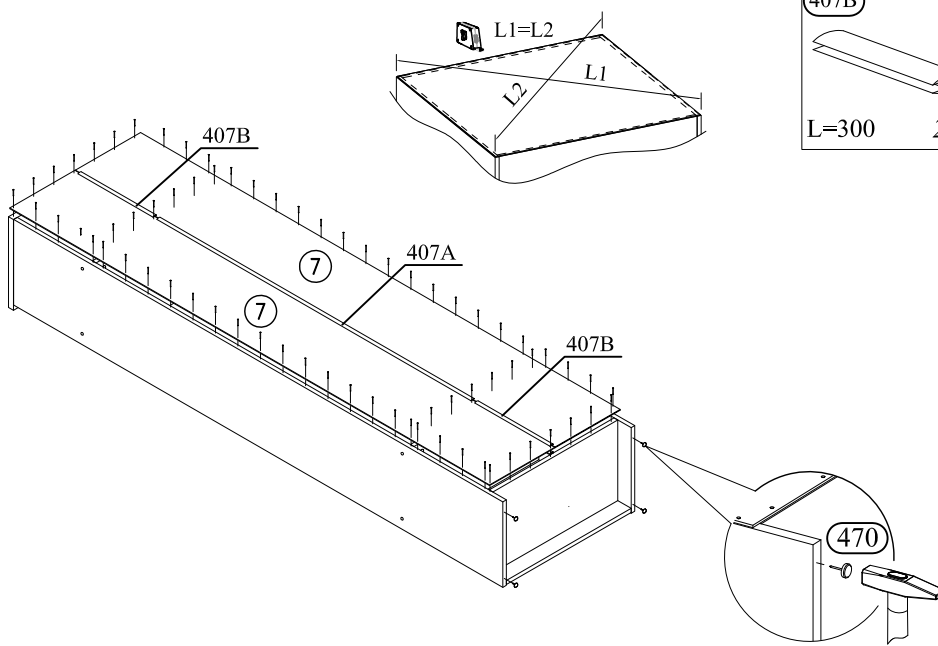


4



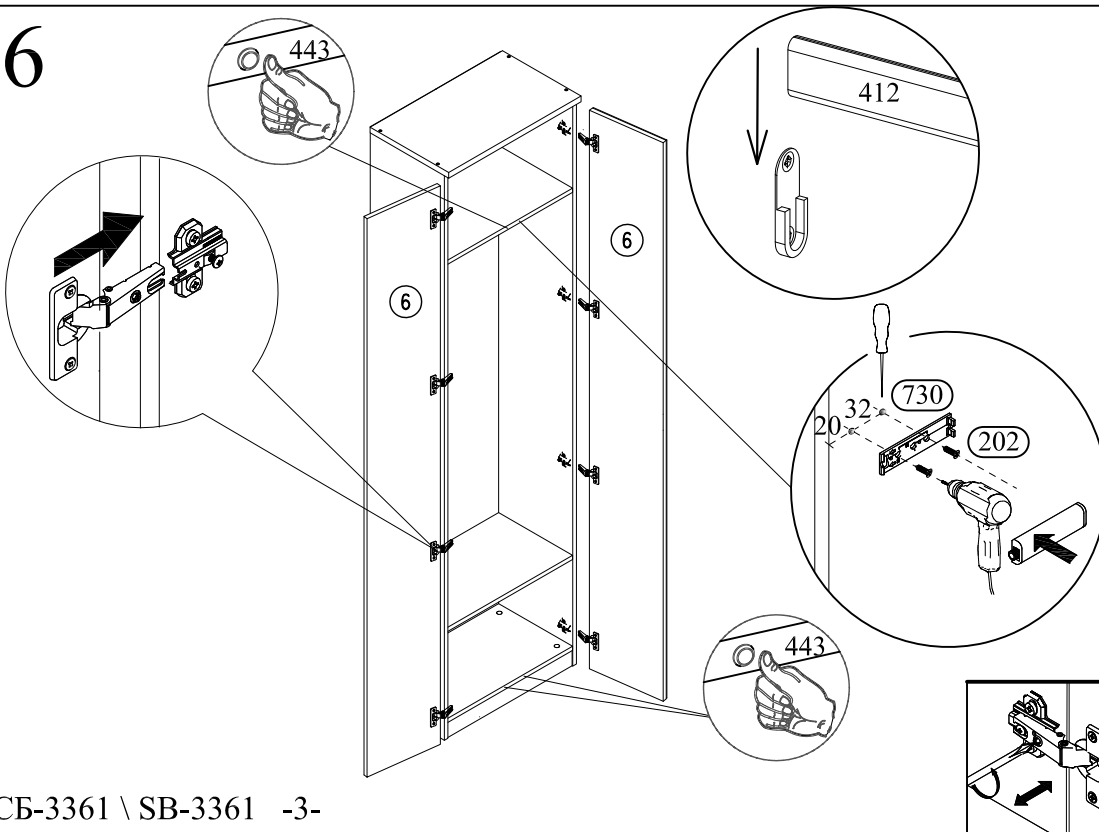
(406)	
Ø7x50	x4
(747)	
Ø12	x4

5



(407B)		(407A)		(470)	
L=300	2	L=1269	1		x4
				(301)	
				1.6x25	x60

6



(443)	
Ø7x1.5	x3
(412)	
L=740	x1
(730)	
	x1
(202)	
Ø4x13	x2