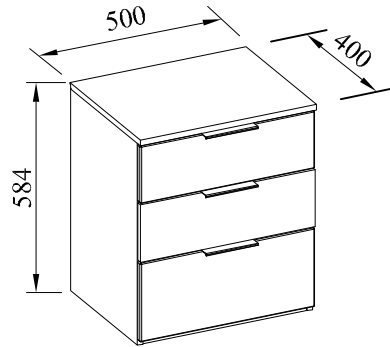
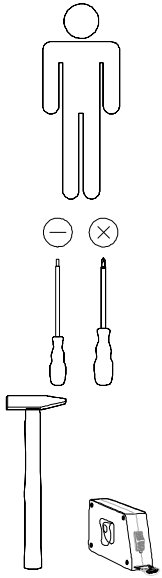
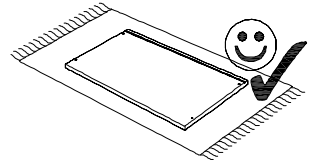
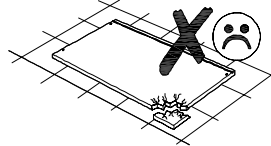
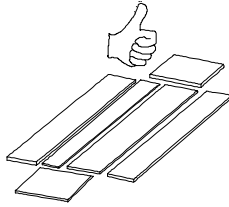
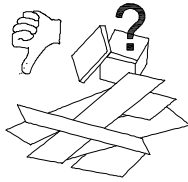
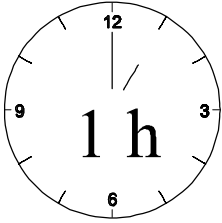
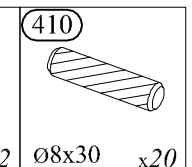
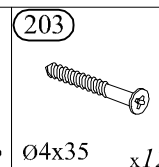
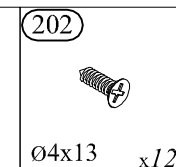
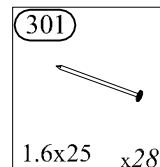
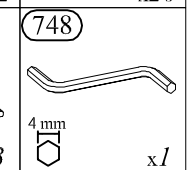
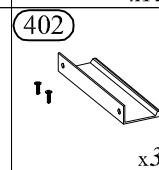
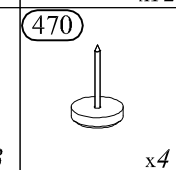
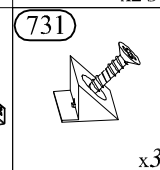
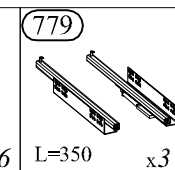
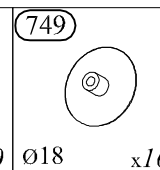
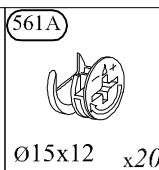
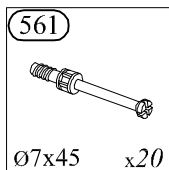
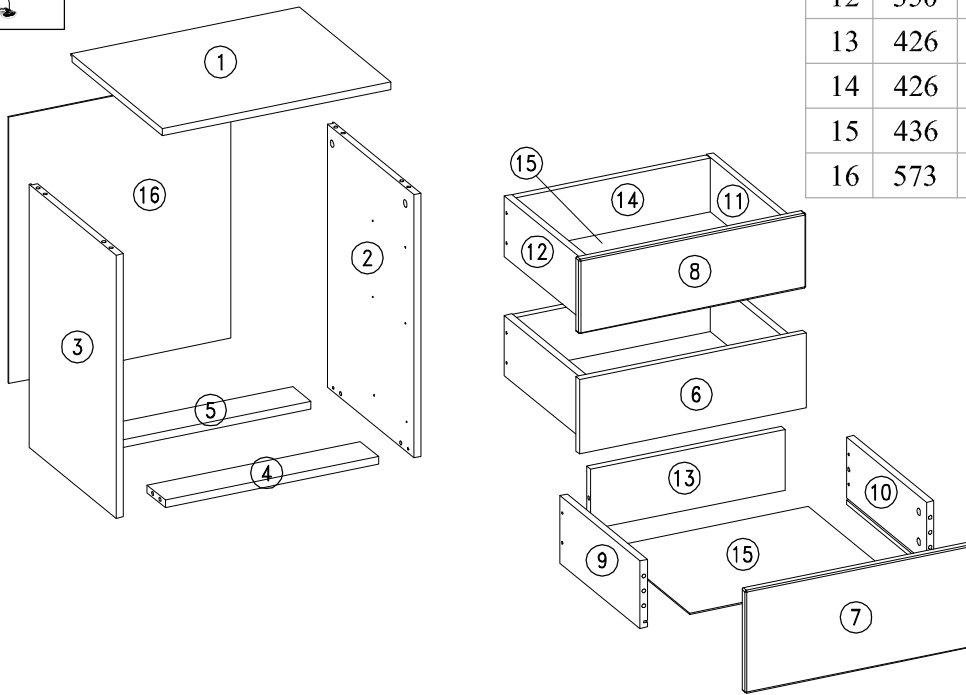


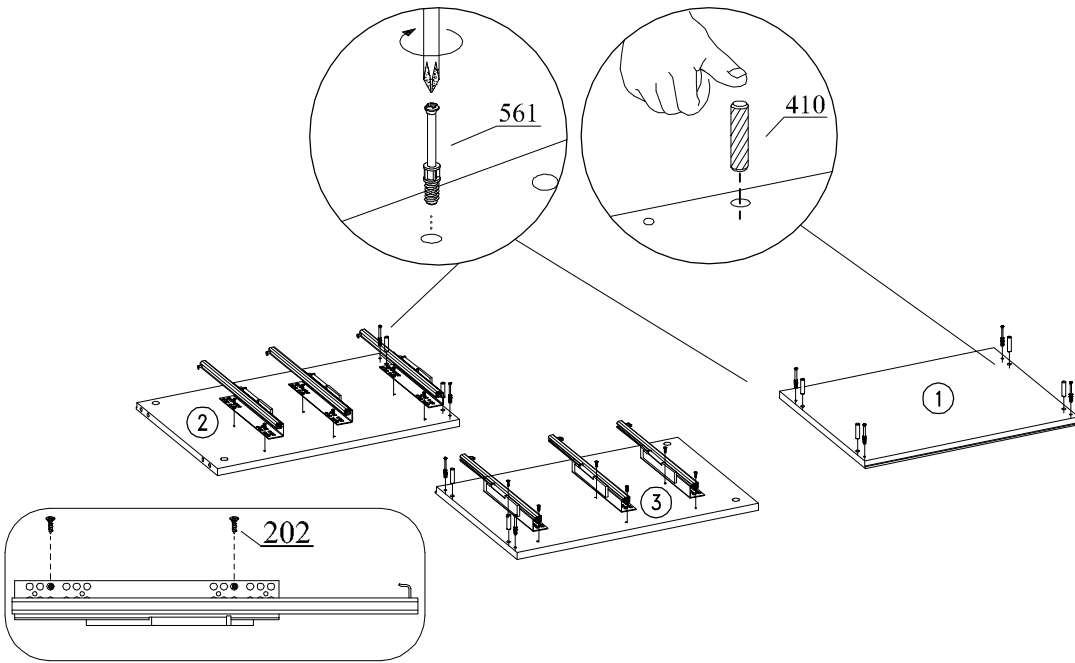
# "Мальта" СБ-3295 \ "Malta" SB-3295


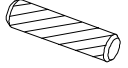
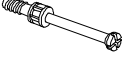
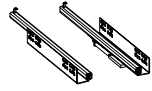


№	L	B	S	Q	
1	500	400	16	1	1
2	564	380	16	1	1
3	564	380	16	1	1
4	466	80	16	1	1
5	466	80	16	1	1
6	496	160	16	1	1
7	496	220	16	1	1
8	496	160	16	1	1
9	350	145	16	1	1
10	350	145	16	1	1
11	350	130	16	2	1
12	350	130	16	2	1
13	426	130	16	1	1
14	426	115	16	2	1
15	436	353	3	3	1
16	573	484	3	1	1

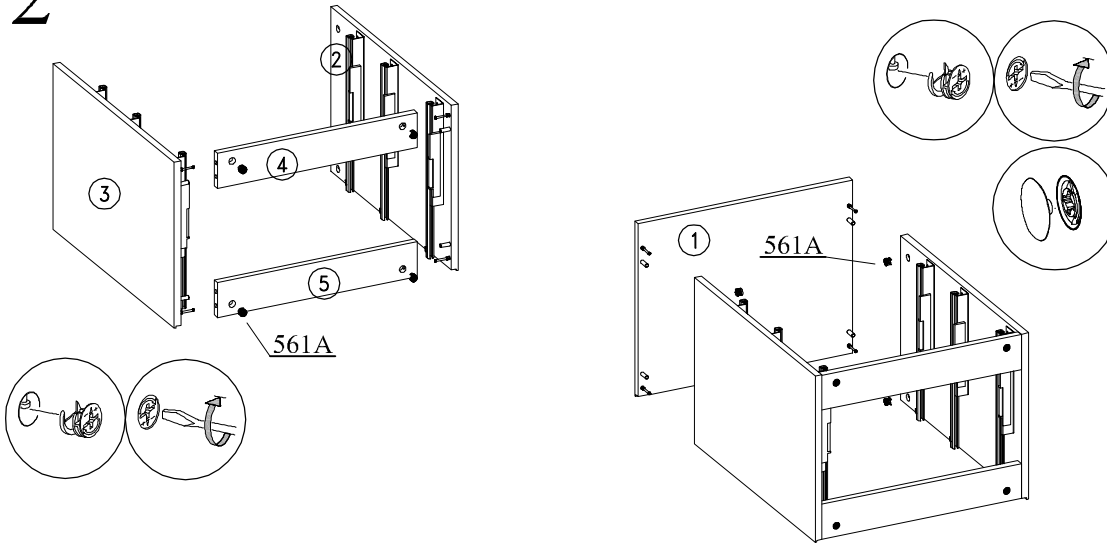




1



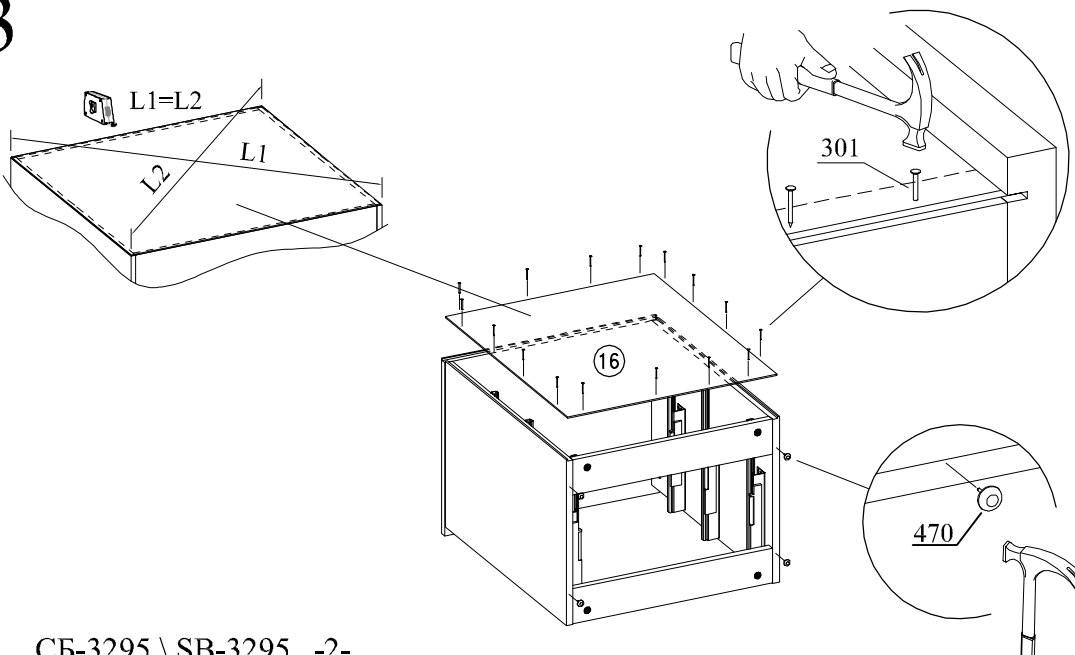
- (202)   $\varnothing 4 \times 13$  x12
- (410)   $\varnothing 8 \times 30$  x8
- (561)   $\varnothing 7 \times 45$  x8
- (779)  L=350 x3

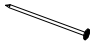
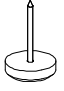
2



- (561A)   $\varnothing 15 \times 12$  x8
- (749)   $\varnothing 18$  x4

3



- (301)  1.6x25 x16
- (470)  x4

